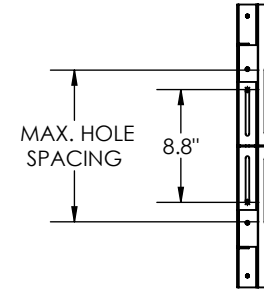
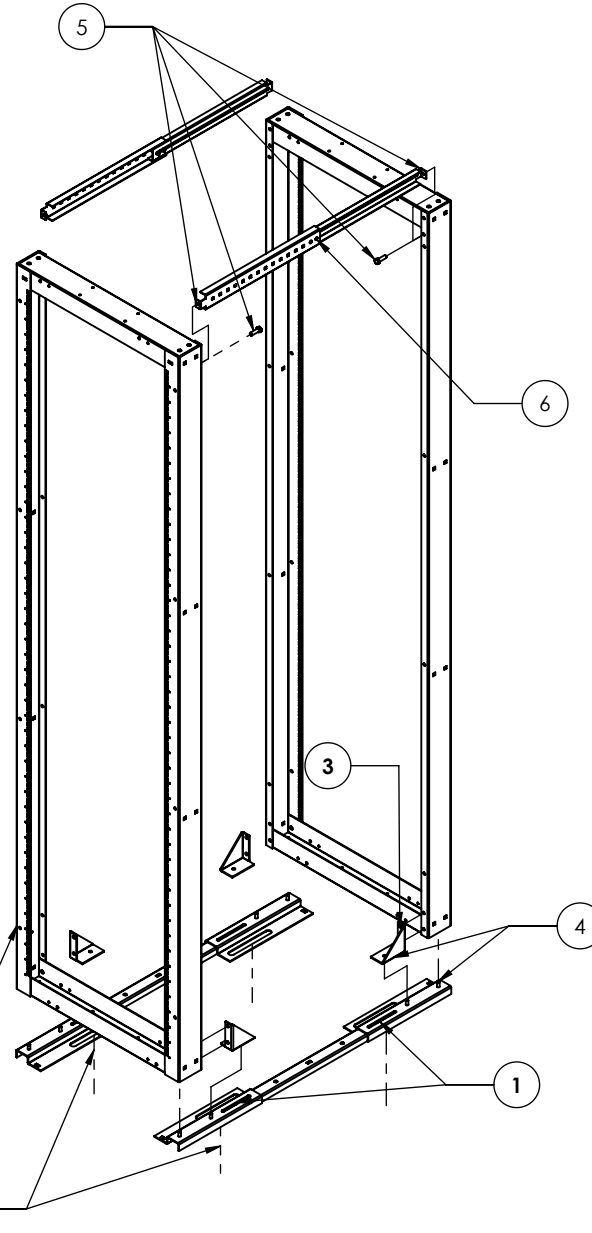


POP RACK INSTALLATION INSTRUCTIONS

FOR INSTALLATION PLEASE FOLLOW STEP

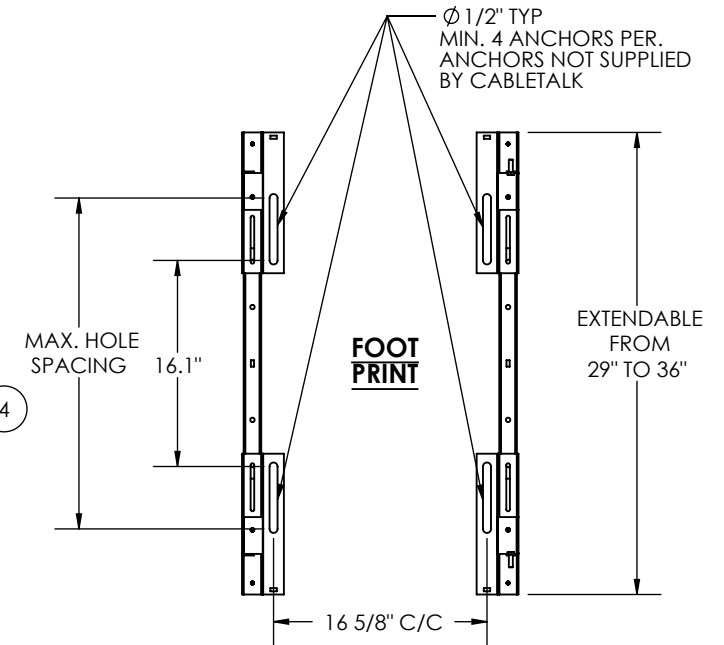
1. (2) 1/4-20X3/4L HEX BOLT
(2) 1/4 FLAT WASHER
(2) 1/4 LOCK WASHER
PER RAIL, TYP. USE OTHER HOLES FOR SHORTER WIDTH. ADJUST TO DESIRED FRAME SPACING AND TIGHTEN.
2. ANCHOR BRACKETS TO FLOOR, PRE-DRILL HOLES, SEE FOOT PRINTS FOR REFERENCE. USE MAX. HOLE SPACING FOR INCREASED RACK STABILITY. ANCHORS NOT PROVIDED. ALL FRAMES MUST BE ANCHORED TO PREVENT TIPPING.
3. PRE-ASSEMBLE GUSSETS TO FRAMES USE
(2) 1/4-20X3/4L HEX BOLT
(2) 1/4-20 NYLOK NUT
(1) 1/4 FLAT WASHER
TYP 4 GUSSETS.
4. PLACE FRAME ON BRACKETS ALIGN WITH PEM STUDS, USE
(2) 1/4-20 NYLOK NUT
(2) 1/4 FLAT WASHER
TYP 4 CORNERS.
5. FASTEN STABILIZERS TO FRAMES UPPER MOST SLOTS AS SHOWN, SEE DIRECTION WHEN INSERTING BOLTS
(2) 1/4-20X3/4L BOLTS
(2) 1/4-20 KEPS NUTS
TYP 2 SIDES
6. ADJUST SPACE BETWEEN FRAMES, TIGHTEN STABILIZER WITH
(2) 1/4-20 KEPS NUTS
TYP 2 SIDES.

**NOTE DIRECTION OF FRAMES,
EIA HOLE SPACING IS OUT**



**FOOT
PRINT**

EXTENDABLE
FROM
22" TO 29"



**FOOT
PRINT**

EXTENDABLE
FROM
29" TO 36"