

Cabinet door reversal instructions

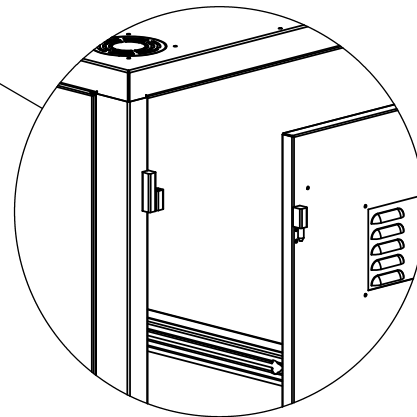
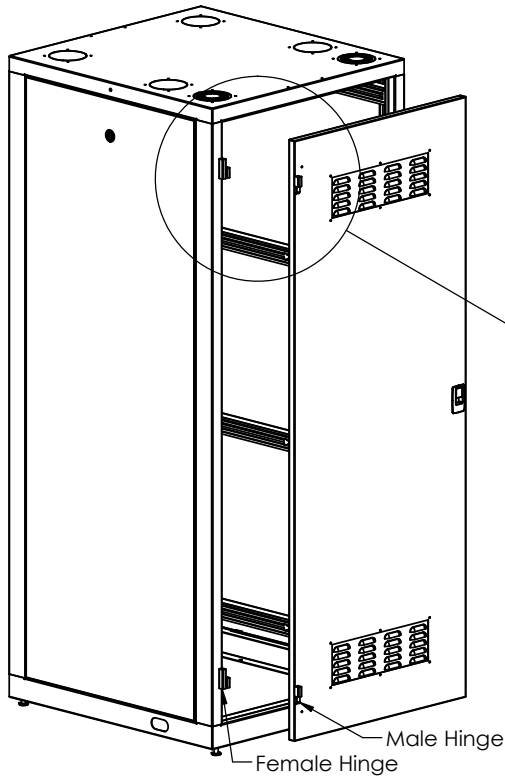
To reverse the swing on a cabinet door, you will require the following:

1. A set of Right-Hand hinges (Hinge, 96-10-520-50)
2. Flat or #2 Roberston screwdriver

To obtain an extra set of hinges, contact your local CableTalk dealer

Step 1: Front door removal

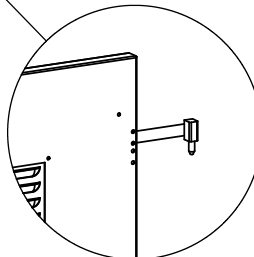
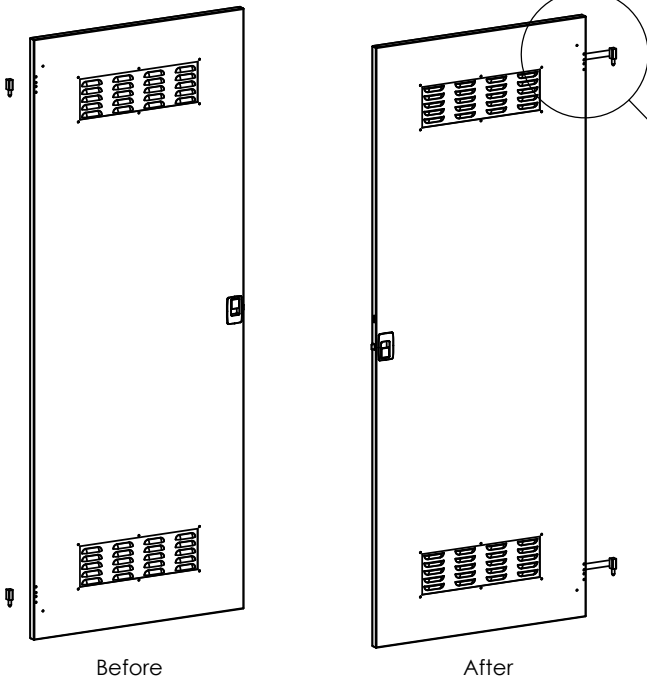
- A. Open front door
- B. Lift front door off its hinges
- C. Remove and keep the black plastic washers from between the male and female ends of the hinges



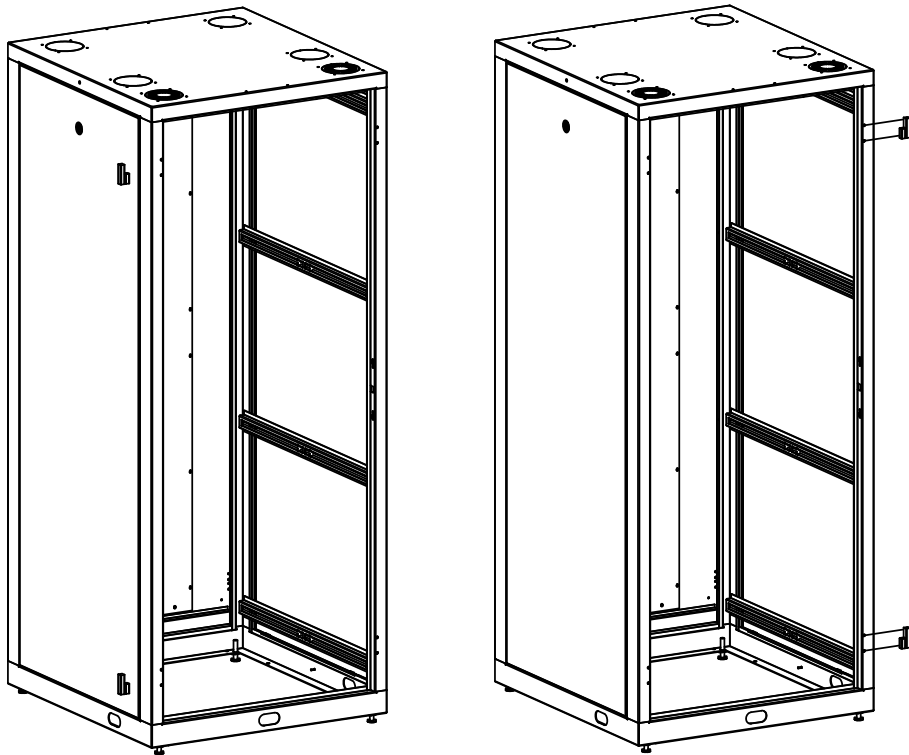
DETAIL B
SCALE 1 : 12

Step 2: Front door

- A. Turn front door over so hinges are on the opposite side
- B. From the inside of the door, remove the male hinges by removing the mounting screws (2 per hinge)
- C. Re-mount the hinges to the door using the top set of holes so that the male hinges point downwards



DETAIL C
SCALE 1 : 12



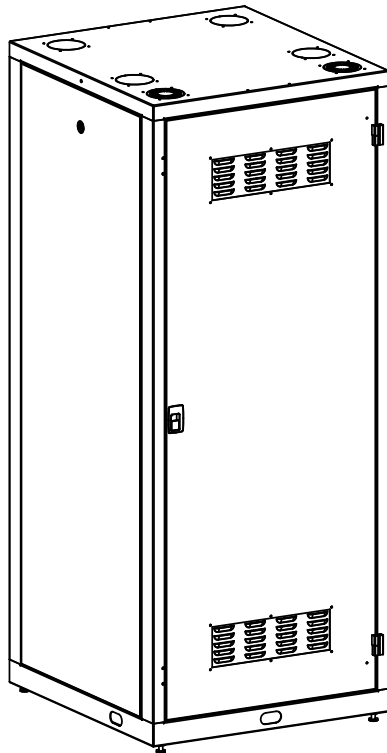
Step 3: Frame

- A. From the inside of the frame, remove the Left Hand female hinges by removing the mounting screws
- B. Remove the plastic filler caps from the mounting holes on the right side
- C. Install Right Hand female hinges on the right side of the cabinet so the hole is facing upwards
- D. Replace the plastic filler caps in the holes on the left side

Step 4: Front Door Re-installation

- A. Replace black plastic washer on male hinges
- B. Lift front door onto hinges
- C. Check door alignment by closing door, adjust if necessary

NOTE: If door is louvered, the louver plate must be removed and turned upside down, then replaced so the louver opening faces downwards



Cabinet
with right-hand hinges