

WALL/CEILING MOUNT HUB BRACKETS



Product Features

Finish

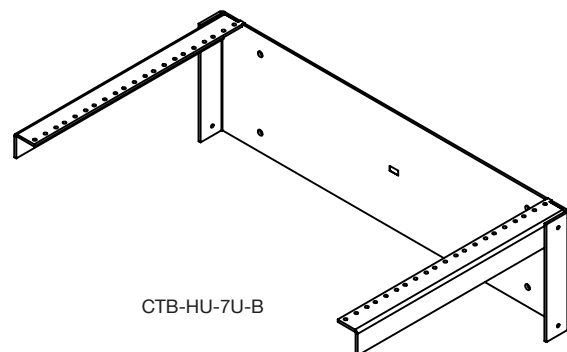
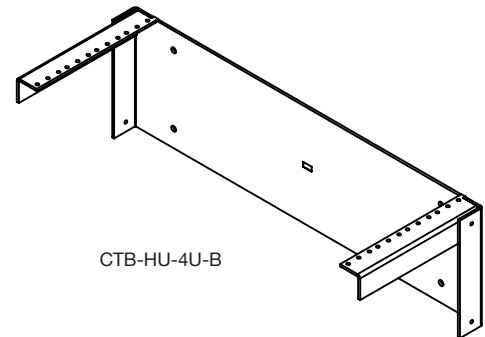
- Durable black textured powder paint finish

Structure

- Frame constructed of 11 GA (0.125") steel
- A solution for small networks with space constraints
- Designed to mount equipment to the wall or ceiling, allowing full access and maintaining a limited depth
- Comes standard with 10-32 tapped mounting holes with stamped U-spacing identification
- Compliant to EIA-310-D 19" standard

Options

- Available in 4 or 7 U-space sizes



Standard Dimensions Wall/Ceiling Mount Hub Brackets

| Part No. | Mounting Width (EIA) | Depth (U-space) |
|-------------|----------------------|-----------------|
| CTB-HU-4U-B | 19 | 4 |
| CTB-HU-7U-B | 19 | 7 |