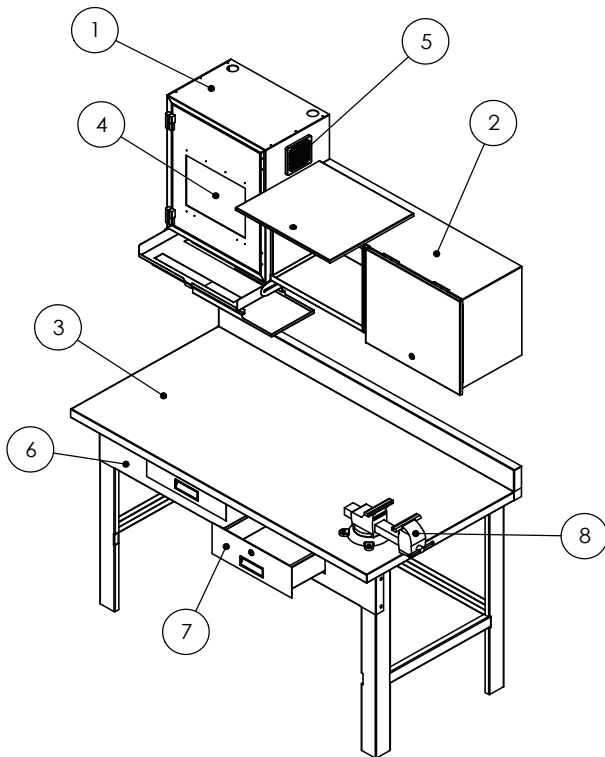


ShopTalk Workbench

Systèmes

CableTalk
Systems Inc.



All items sold separately

No.	Part No.	Desc.	Qty
1	CTWS-OH6016	OVERHEAD COMPUTER MODULE	1
2	CTWS-OH3916	OVERHEAD 2 DOOR STORAGE	1
3	CTWS-TT3260-SS	WORKBENCH	1
4	CT-S9154OW	15" LCD TOUCH SCREEN	1
5	CTC-FA-1	100 CFM FAN	1
6	CTWS-2PDFS	FRONT SKIRT FOR 2 DRAWER	1
7	CTWS-PD2426	PULL OUT DRAWER	2
8	CT-57-9005-2	OPTIONAL 5" VISE	1

NOTES:

OVERHEAD 2 DOOR STORAGE COMES IN A 3 DOOR
FRONT SKIRT COMES IN A SINGLE DRAWER OPTION

Options

- Keyed locks on drawers and cabinets available keyed differently, keyed alike, or keyed with master key. Core removal system allows for easy re-key on site
- Optional industrial PC
- Optional surge protection and power distribution
- Optional touch screen available

Product Features

Finish

- Durable, smooth polyester powder coat finish, choice of colors available, blue standard
- Corrosion resistant

Design

- Designed for small to large industrial workstations, offering a clean and organized area to fulfill computer and storage requirements, as well as a durable working surface

Structure – Work Bench

- Heavy duty welded frame
- 1.5" Stainless steel top with welded corners, encompasses 1" thick MDF panel
- Top includes backstop
- Feet have provisioning for floor anchors
- Option for up to two large, 75 lb capacity lockable drawers
- Available with or without fascia, or with fascia to accommodate one or two drawers
- Includes provisioning for optional shop vise

Structure – Wall Mount Cabinets

- Galvanized lower sub floors for corrosion resistance to spills
- Lockable doors
- Storage cabinet doors swing upwards for tidiness
- Various lengths available

Structure – Wall Mount Computer Cabinet

- Fits standard tower PC case
- Lockable door
- Built-in retractable keyboard tray with retractable oversized mouse pad

