

# Wall Mount Brackets



## Product Features

### Finish

- Durable black textured powder paint finish

### Structure

- Frame constructed of 16 GA (0.060") steel
- Wall mount brackets are designed for smaller network systems
- Comes standard with 19" EIA standard 10-32 tapped mounting holes with stamped U-spacing identification

## Flat-Pack Swing Out

Our 11 U-space model is constructed so that it closes flat for shipping, and is assembled simply with 4 screws on arrival.

## Options

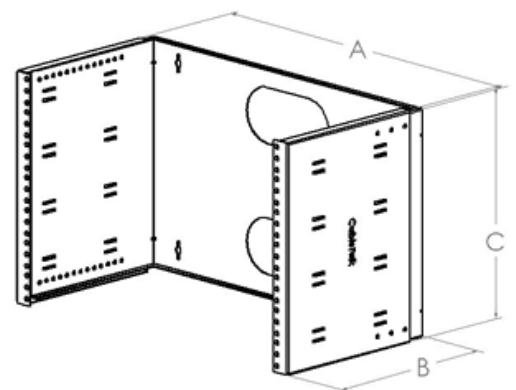
- Available in 1,2,4, 7 or 11 U-space sizes
- 2 U-space size features a hinged mount, which offers full access to patch panels, front and rear
- 4 U-Space size has adjustable depth, from 10-14 inches
- 4 U-Space combo kit available, includes 4 U-space adjustable depth wall bracket and 12" deep shelf
- 7 U-space model is adjustable from 10-16 inches deep
- 11 U-space size features a swing-out mount, which enables it to be shipped flat



## Standard Dimensions

### Wall Mount Brackets

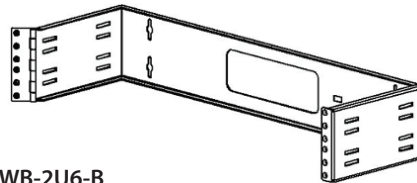
Part No.	Overall Width A (Inches)	Overall Depth B (Inches)	Overall Height C (Inches)	Style
WB-1U4-B	20	4	1.75	Fixed
WB-2U6-B	20	6	3.5	Hinged
WB-4U14-B	20	10-14 Adjustable	7	Fixed
WB-4U14K-B	20	10-14 Adjustable	7	Fixed, w/ shelf
WB-7U16-B	20	10-16 Adjustable	12.25	Fixed
WB-11U20-B	20	20	19.25	Swing-out



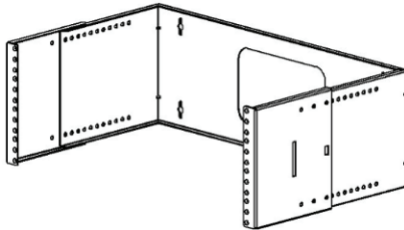
# Wall Mount Brackets



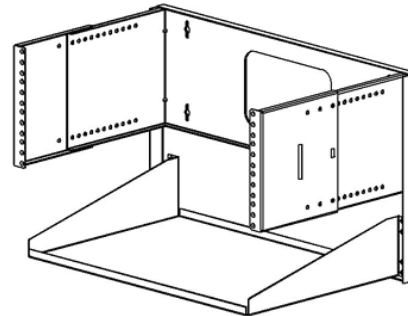
WB-1U4-B



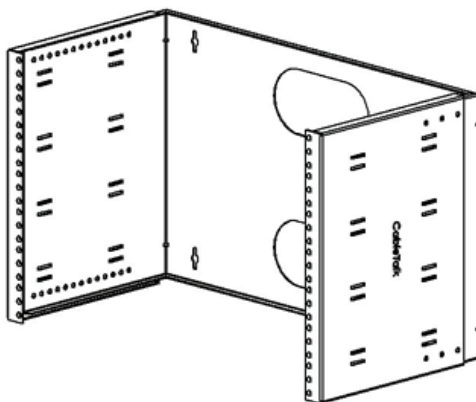
WB-2U6-B



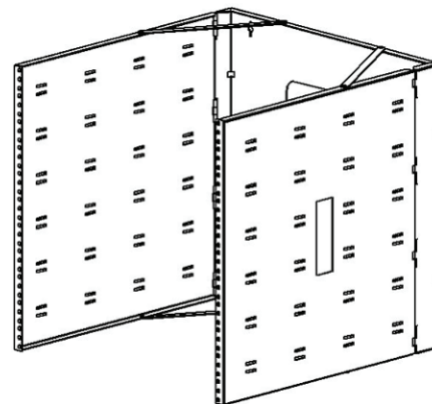
WB-4U14-B



WB-4U14K-B



WB-7U16-B



WB-11U20-B