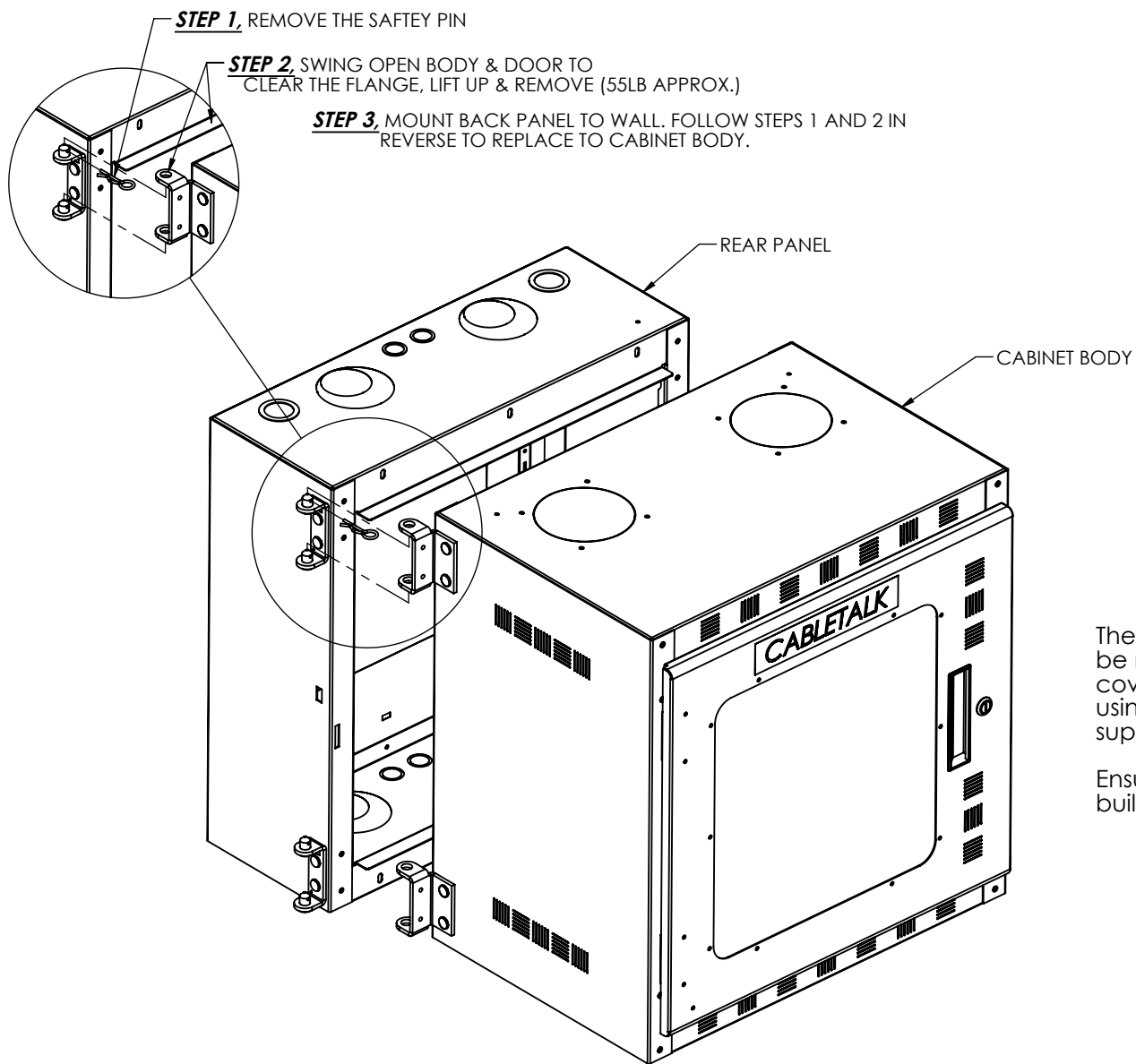


# WALL-MOUNT INSTALLATION INSTRUCTIONS



The wall mount cabinet is reversible and must be mounted on minimum 3/4 in. plywood that is covered with flame retardant paint or material using 4 sets of 3/8 in. lag bolt and washer (not supplied).

Ensure you follow all local ordinance and building codes.

# WALL-MOUNT INSTALLATION INSTRUCTIONS

